



VALVES FOR OXYGEN

- **Reliable**
- **Grease-free**
- **Customized solutions**

30

YEARS
HAFNER

HAFNER

Valves for oxygen applications in the medical industry.

Page 2

At Hafner you get valves that can be used with pure oxygen (O₂). The valves are designed according to the requirements of the medical industry.

- high reliability
- entirely free from grease due to the high flammability of oxygen
- laminar flow and low pressure drop
- Easy to use, even by non-technical staff
- Use of compatible materials



On the following pages we show some product examples that were developed in collaboration with a ventilator manufacturer.

You have further questions?

Please contact us info@hafner-pneumatik.de or via telephone 07154-178589-0.

Direct acting solenoid valves

Hafner offers direct acting solenoid valves for use with pure oxygen. The valves can be equipped with different solenoid systems in order to be able to meet the individual customer requirements for nominal size and pressure range.

General specifications:

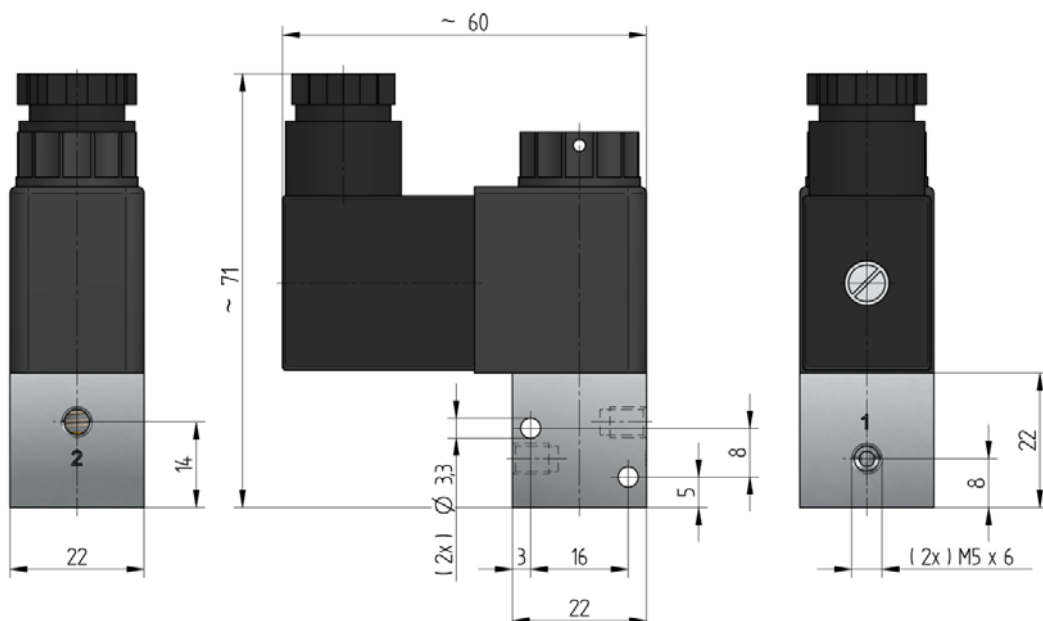
- 2/2-way and 3/2-way as individual valve
- 2 x 2/2-way valves integrated in one block
- Orifice size from 1,2 mm to 2,0 mm

Material selection:

- Body 1.4404 stainless steel
- Seals: NBR / FPM
- Other parts: brass



Valves can be delivered completely assembled with the appropriate fittings.



Mixing module with two flow control valves

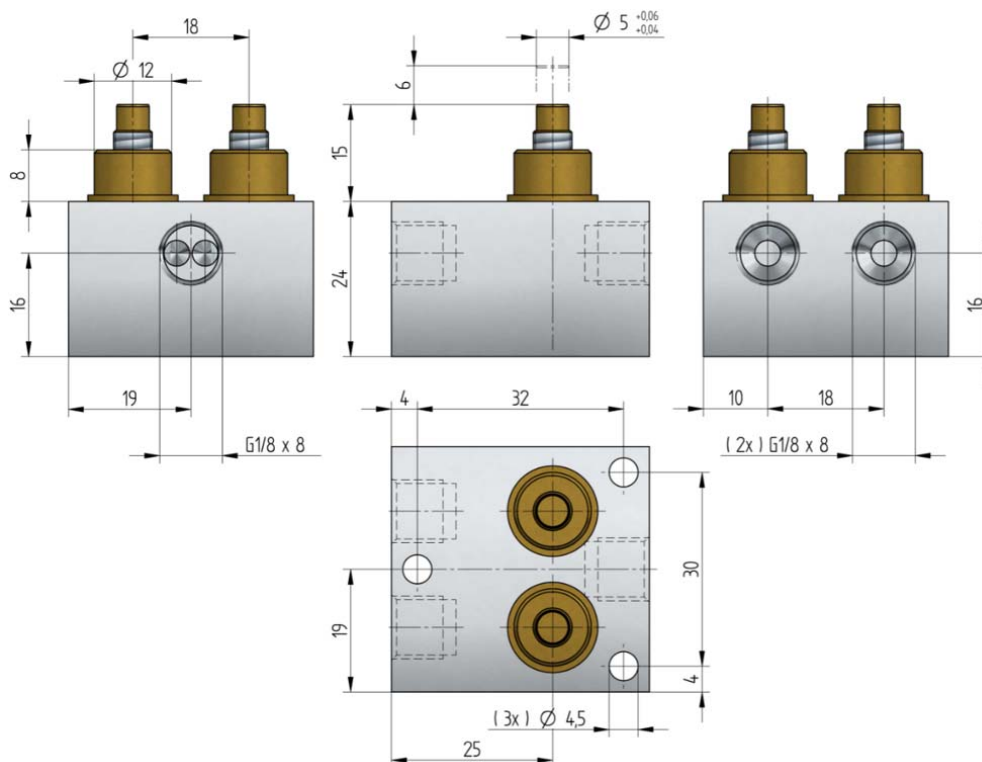
Mixing module with two integrated one-way flow control valves. The two throttle spindles are mechanically connected to each other. When one throttle opens, the other closes. Due to the linear control behavior, the volume flow remains constant overall, but the oxygen enrichment can be precisely regulated.

General specifications:

- Air-flow: max. 450 NI/min (at 10 bar)
- Pressure range: 0 – 10 bar
- Temperature range: -10°C to +60°C
- Port size: G 1/8"

Material selection:

- Body 1.4404 stainless steel
- Seals: NBR / FPM
- Inner parts: brass, 1.4310, 1.4404

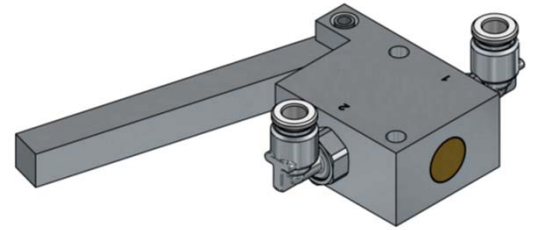


Stem valve with long operating lever

2/2-way stem valve with extended operating lever according to customer requirements.

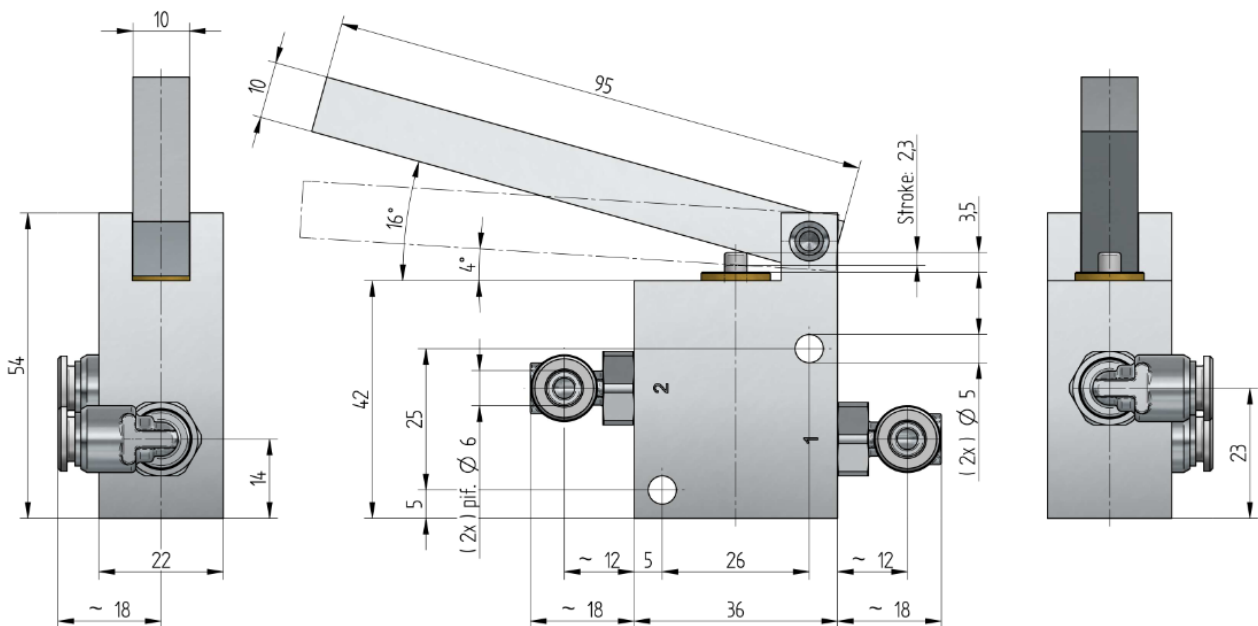
General specifications:

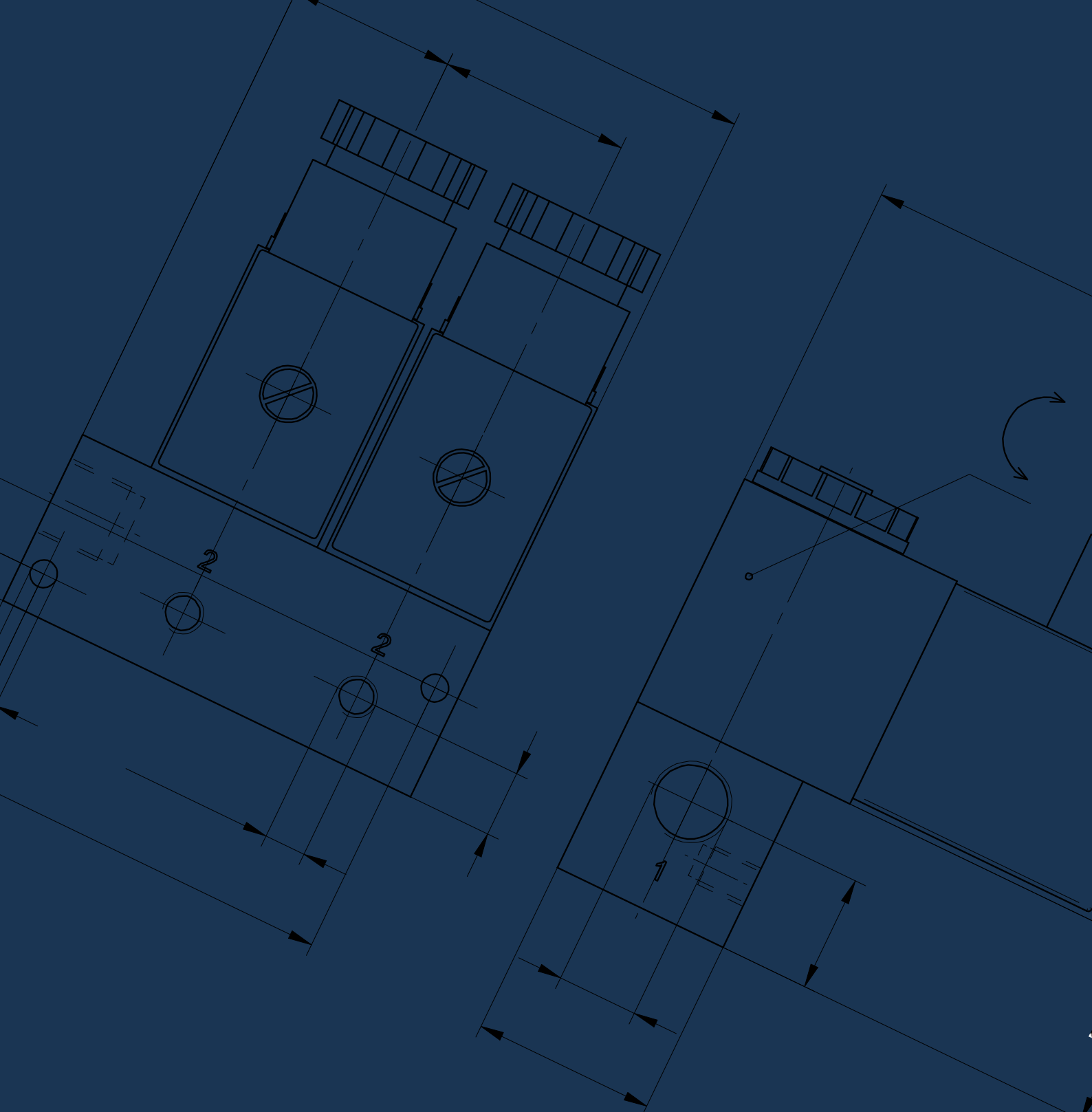
- Air-flow: max. 650 NI/min
- Pressure range: 0 – 4 bar
- Temperature range: -10°C to +50°C
- Port size: G 1/8"



Material selection:

- Body: 1.4404 stainless steel
- Seals: NBR / FPM
- Inner parts: brass, POM, 1.4310, 1.4404





Hafner-Pneumatik Krämer GmbH & Co. KG
Stammheimer Straße 10
D-70806 Kornwestheim
Phone +49 - 71 54 - 17 85 890
Fax +49 - 71 54 - 17 85 89 28
info@hafner-pneumatik.de
www.hafner-pneumatik.de